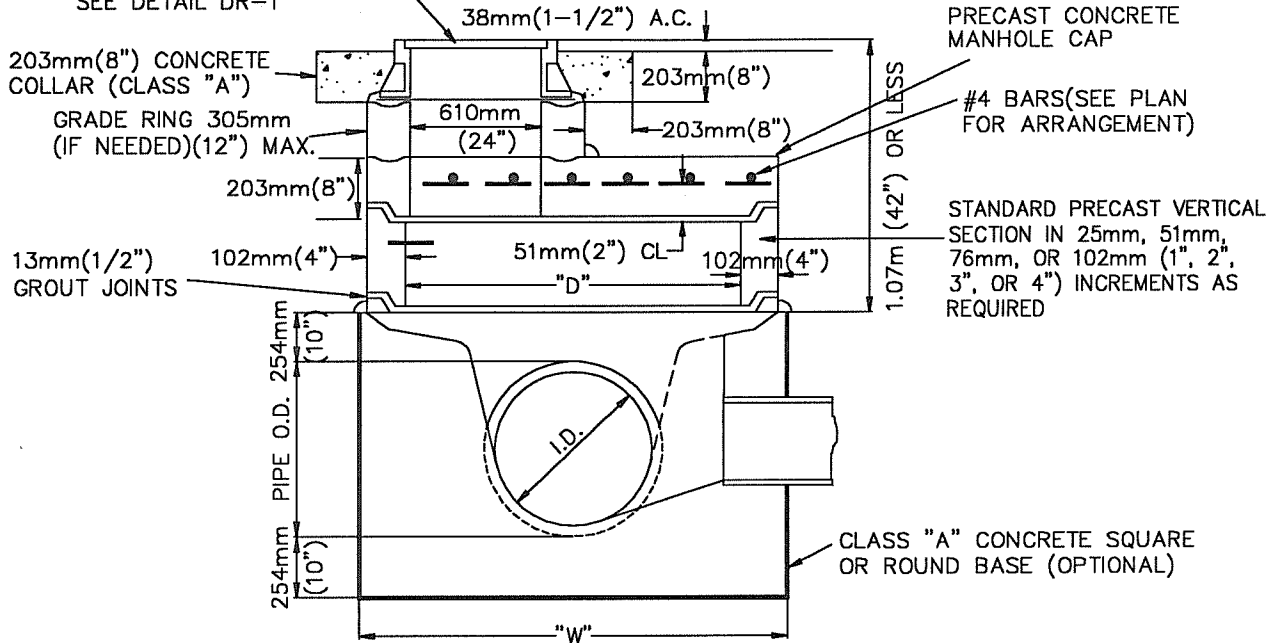
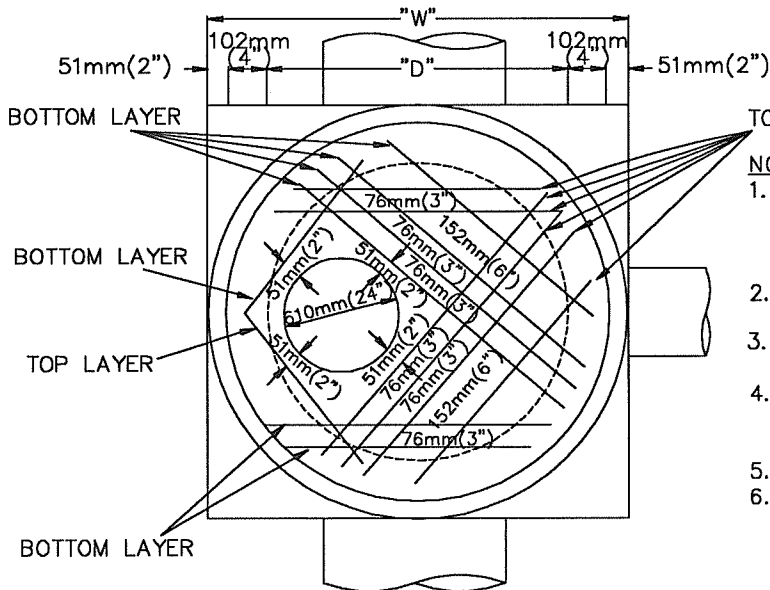


PHOENIX IRON WORKS
FRAME & COVER OR EQUAL
SEE DETAIL DR-1



SECTION

PIPE DIA.	"D"	"w"
305mm TO 1.07m	1.22m	1.52m
(12" TO 42")	(48")	(60")



PLAN

NOTES:

1. ALL PRECAST MANHOLE SECTIONS TO BE MANUFACTURED IN STRICT ACCORDANCE WITH THE LATEST PROVISIONS OF AS DESIGNATION C-478
2. MANHOLE BASE TO BE POURED ON UNDISTURBED EARTH
3. 1:3 GROUT MIX OR RAM-NEK JOINT COMPOUND TO BE USED IN ALL JOINTS
4. MANHOLE CASTING TO BE SET TO GRADE PRIOR TO PLACING 38mm(1-1/2") A.C. PATCH
5. ALL SLAB REINFORCING BAR TO BE #4
6. #2 BARS BENT UP AND SPACED 152mm(6") O.C. AROUND 610mm(24") OPENING HORIZONTAL LEG TO FAN OUT AT EQUAL SPACE TO 51mm(2") CLEARANCE AT EDGE OF SLAB

All units are in metric
Non-metric units in brackets

ACAD FILENAME:STORMAN3



CITY OF MENLO PARK STANDARD DETAILS

NO.	REVISIONS	DATE

STANDARD FLAT TOP
STORM DRAIN MANHOLE
(PIPES ID ≤ 42" AND H ≤ 1.07m(42"))

APPROVED *John A. Carm*
Director of Engineering Services R.C.E. No. 40998

DRAWN CHECKED NN DATE 1-1-97 SCALE NTS SHEET 1 OF 1

STD. DETAIL No.: DR-4