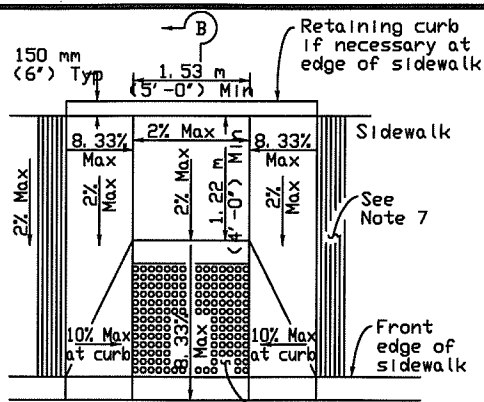
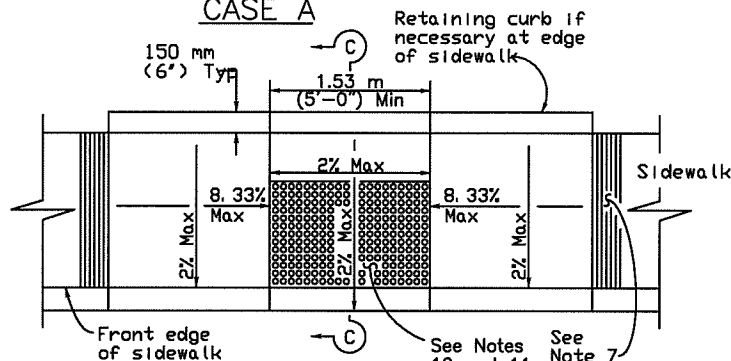


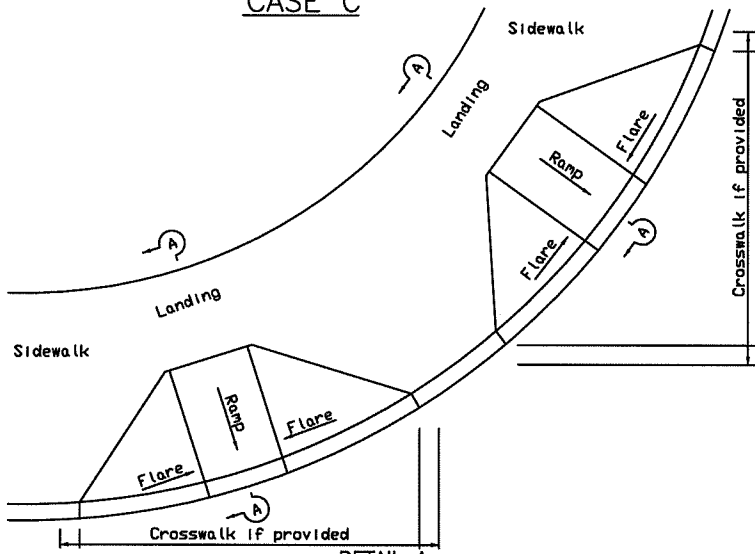
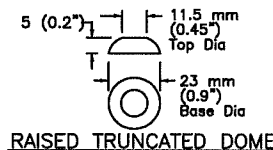
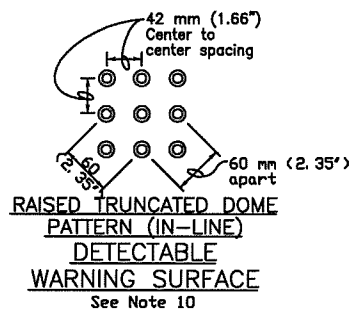
CASE A



CASE B

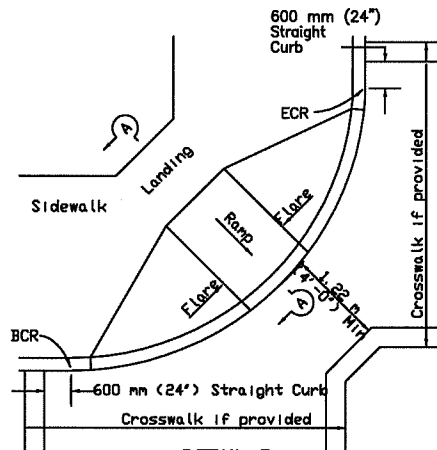


CASE C



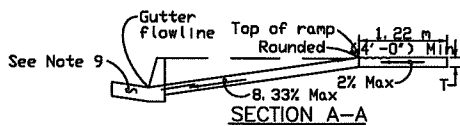
TYPICAL TWO-RAMP CORNER INSTALLATION

See Note 1

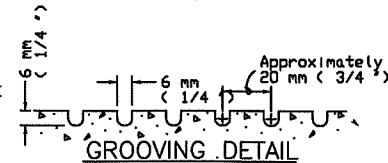


TYPICAL ONE-RAMP CORNER INSTALLATION

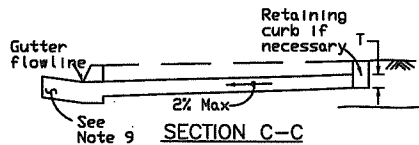
See Notes 1 and 3



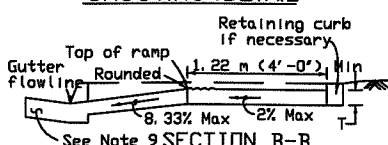
SECTION A-A



GROOVING DETAIL

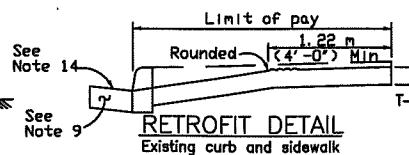


SECTION C-C



SECTION B-B

Depress entire sidewalk as required



RETROFIT DETAIL

Existing curb and sidewalk

ACAD FILENAME: CURBRAMP



CITY OF MENLO PARK STANDARD DETAILS

NO.	REVISIONS	DATE

CURB RAMP DETAILS A thru C

APPROVED

[Signature]
Director of Engineering Services R.C.E. No.40998

DRAWN CALTRANS

CHECKED

DATE 4-15-05

SCALE NTS

SHEET 1 OF 3

STD. DETAIL No.: CG-20