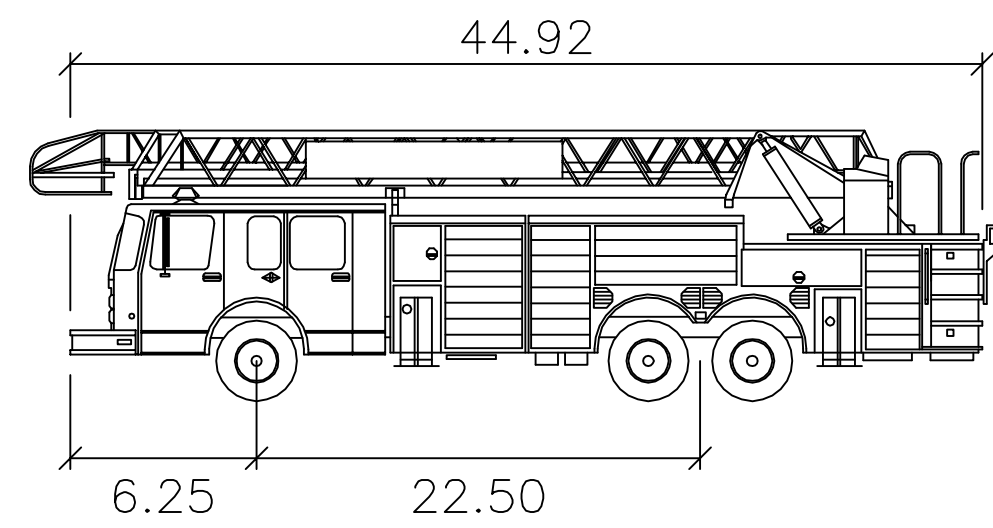
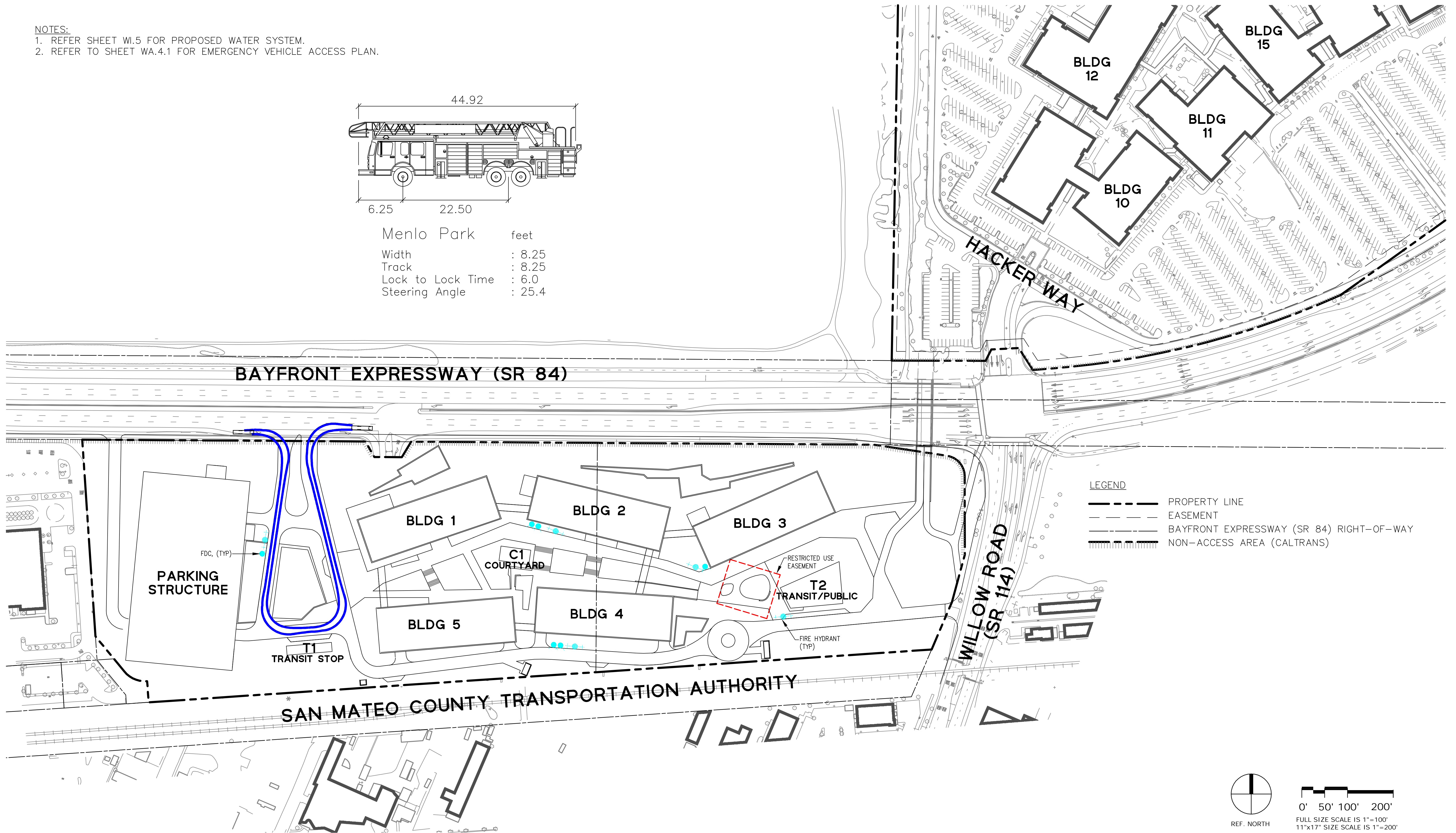


NOTES:
 1. REFER SHEET W1.5 FOR PROPOSED WATER SYSTEM.
 2. REFER TO SHEET WA.4.1 FOR EMERGENCY VEHICLE ACCESS PLAN.



Menlo Park feet
 Width : 8.25
 Track : 8.25
 Lock to Lock Time : 6.0
 Steering Angle : 25.4



0' 50' 100' 200'
 FULL SIZE SCALE IS 1"=100'
 11"x17" SIZE SCALE IS 1"=200'



FACEBOOK @ MENLO PARK
 WEST CAMPUS

312 & 313 CONSTITUTION DR., MENLO PARK, CA



WA.4.1.4 EMERGENCY VEHICLE TURNING PLAN

August 5, 2011